

PAUL ROBERT ROUSSELLE ARCHITECT  
501 South Main Street Stowe Vermont 05672  
T. 802.253.2110



NEW YORK, PENNSYLVANIA, TEXAS, VERMONT, VIRGINIA  
VERMONT REGISTERED ARCHITECT  
PAUL ROUSSELLE ARCHITECT  
501 SOUTH MAIN STREET  
STOWE VERMONT 05672  
TEL: 802.253.2110  
WWW.PAULROUSSELLEARCHITECT.COM

design development  
UNIT A

AS NOTED 2006. 02.03

Rev. No.	Description	Date
1		
2		
3		
4		
5		
6		
7		
8		
9		
10		

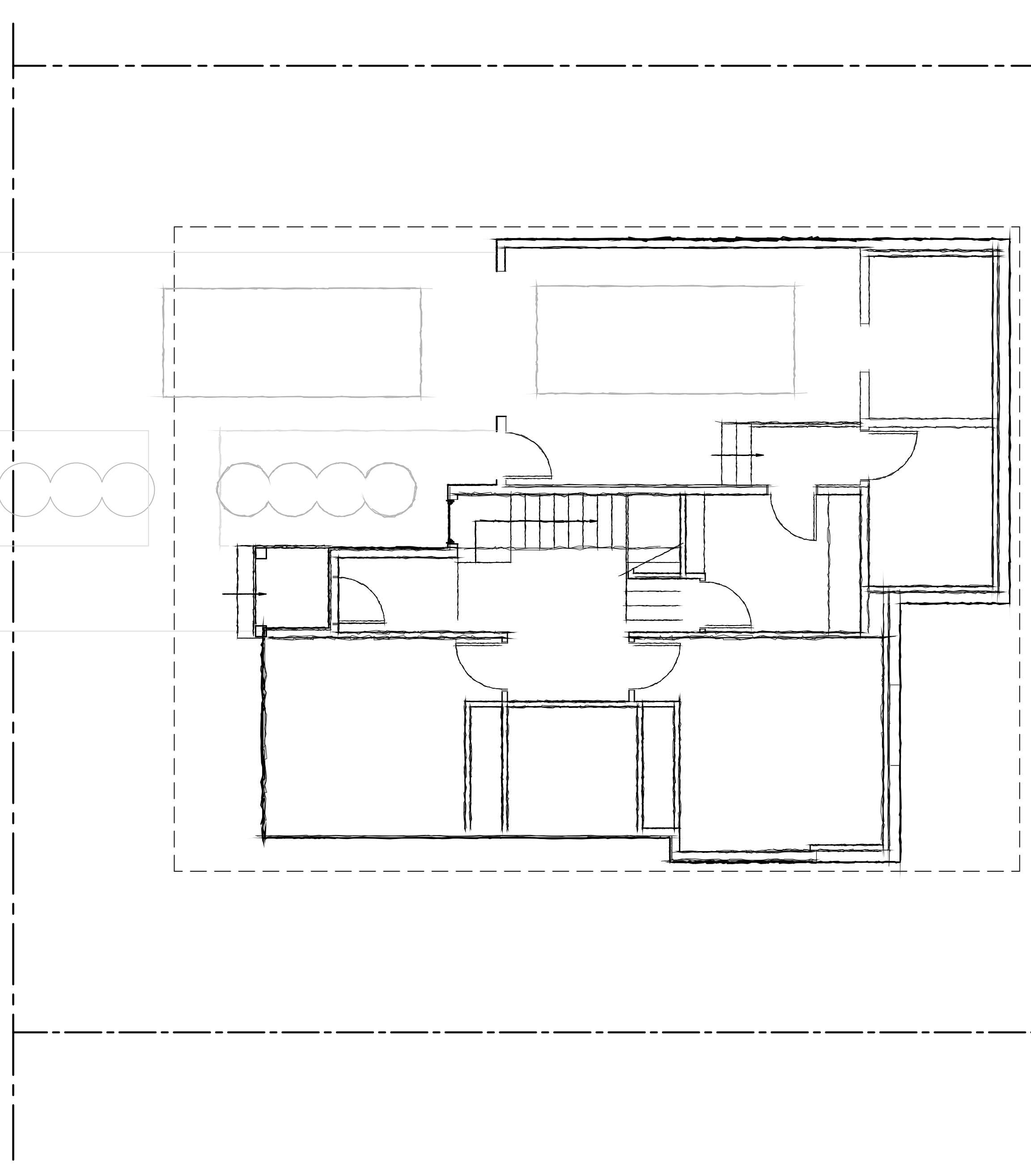
design development  
Unit A STREET FACADE

SCALE: 3/16" = 1' - 0"



design development  
Unit A LOWER FLOOR LEVEL

SCALE: 3/16" = 1' - 0"



PLAN NOTE:  
DESIGN DEVELOPMENT DRAWING  
NOT FOR CONSTRUCTION



Consultant:  
  
Sponsor:  
Civil Engineer:  
Geological Engineer:  
Structural Engineer:  
Electrical Engineer:  
Mechanical Engineer:

Contractor

**PAUL  
ROBERT  
ROUSSELLE  
ARCHITECT**  
501 South Main Street Stowe Vermont 05672  
T.802.253.2110



NEW YORK LIC. No. 000000  
PENNSYLVANIA LIC. No. 000000  
TEXAS LIC. No. 26114  
VERMONT LIC. No. 2634

DO NOT SIGN DRAWINGS  
OR ANY OTHER DOCUMENTS  
UNLESS YOU ARE A REGISTERED  
PROFESSIONAL ENGINEER,  
ARCHITECT, LANDSCAPE ARCHITECT,  
PLUMBER, MECHANICAL ENGINEER,  
ELECTRICAL ENGINEER, OR  
SURVEYOR IN THE STATE OF  
VERMONT. ANY OTHER SIGNATURE  
IS UNLAWFUL AND MAY BE  
PUNISHED AS A VIOLATION OF  
VERMONT STATUTES.  
THE 17th September

Drawing Title:  
**design development  
Unit C**

Drawing Scale:  
**AS NOTED**

Revision Log:  
2026, **02.03**

Rev. No. Description Date

Rev. No.	Description	Date

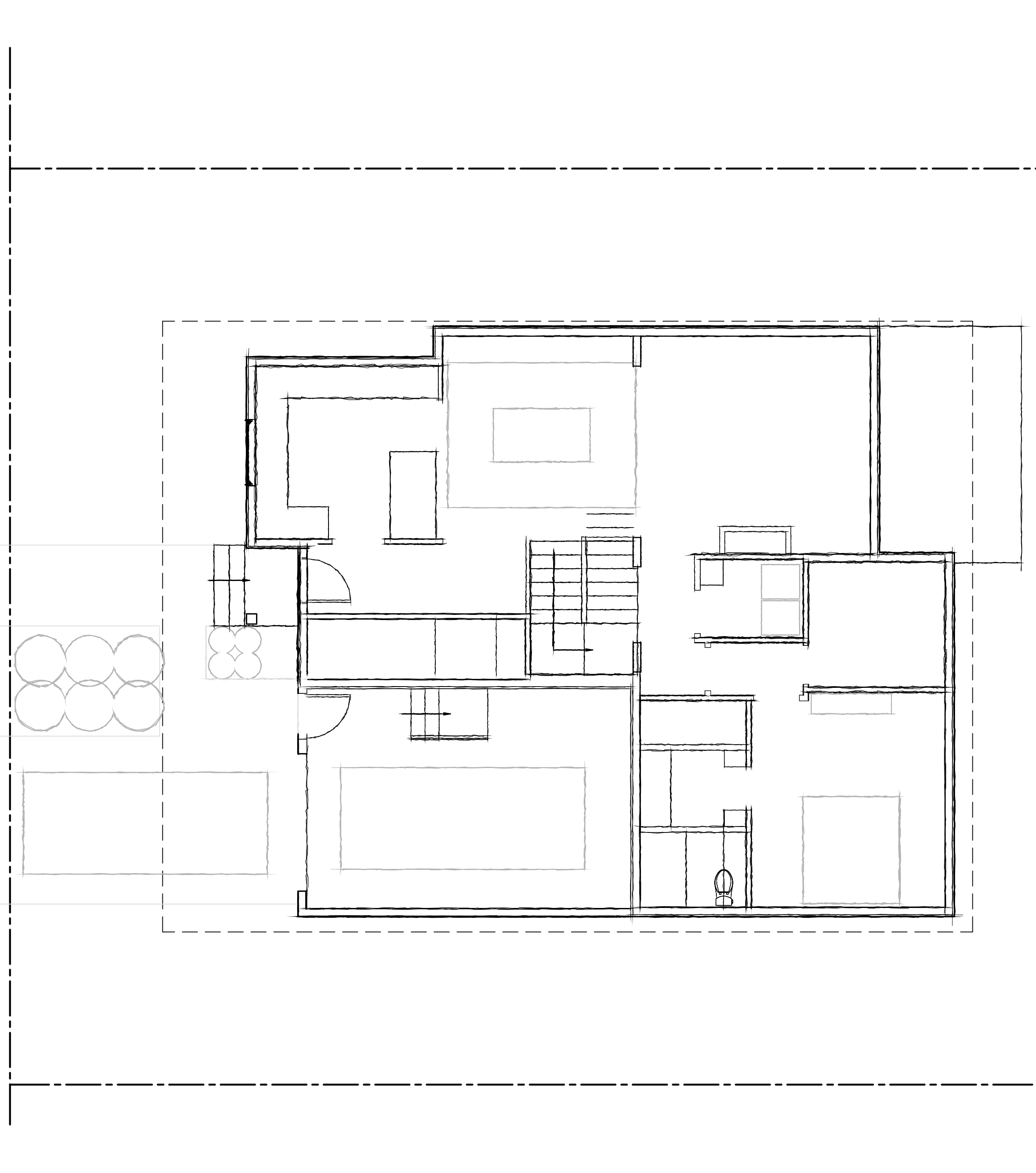
Sheet Number:

**DD 1.3**



design development  
Unit C STREET FACADE

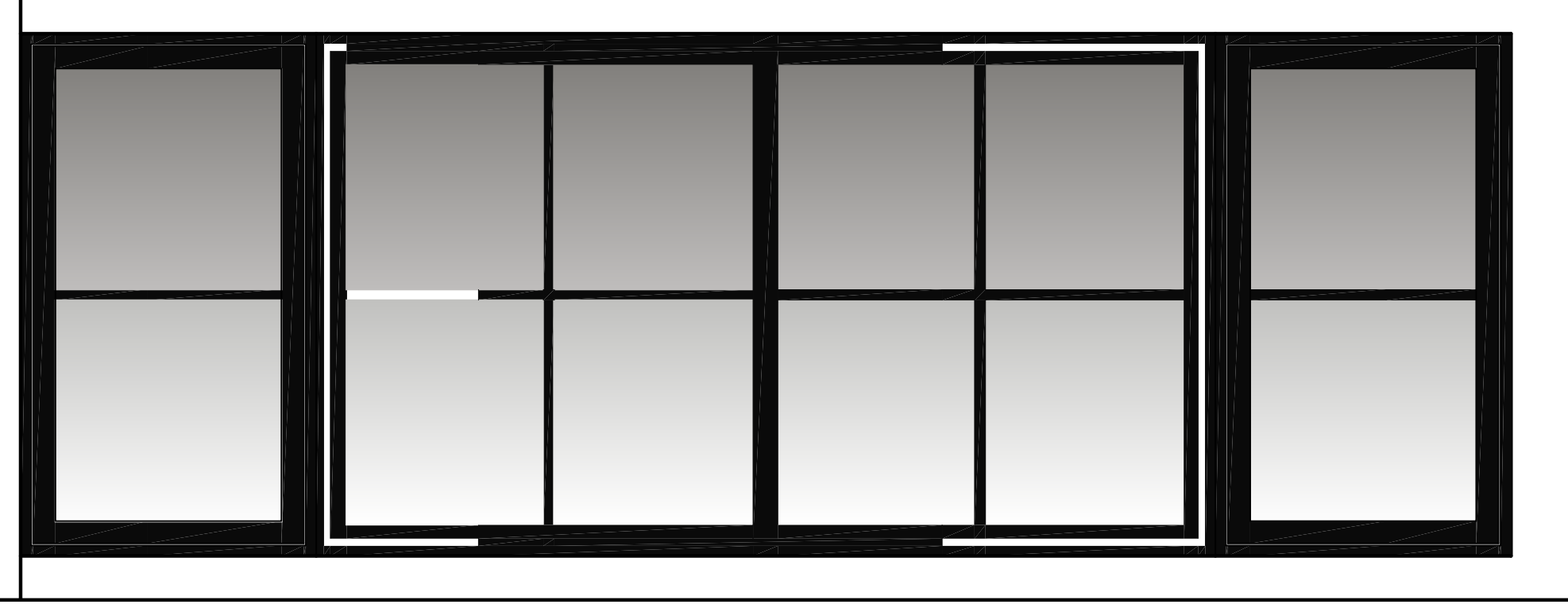
SCALE: 3/16" = 1' - 0"



design development  
Unit C MAIN FLOOR LEVEL

SCALE: 3/16" = 1' - 0"

PLAN NOTE:  
DESIGN DEVELOPMENT DRAWING  
NOT FOR CONSTRUCTION



Project Title:  
**Brackenbury  
 Place  
 Development**

Location:  
 673 South Main Street  
 Stowe, Vermont

Project Number:  
**1714**

Consultant:  
 Surveyor:  
 Civil Engineer:  
 Geotechnical Engineer:  
 Structural Engineer:  
 Electrical Engineer:  
 Mechanical Engineer:

Contractor:  
 673 South Main Street  
 Stowe, Vermont

ARCHITECTURE  
 PLANNING  
 INTERIORS

PAUL  
 ROBERT  
 ROUSSELLE  
 ARCHITECT

201 South Main Street  
 Stowe, Vermont 05672  
 T. 802.253.2110

Architect Seal: Not Used  
 Unless Signed

REGISTERED ARCHITECT  
 PAUL S. ROUSSELLE  
 STATE OF VERMONT

NEW YORK Lic. No. 900399  
 PENNSYLVANIA Lic. No. 0446050  
 VERMONT Lic. No. 8114

Notes:  
 (1) ALL WORK SHALL BE DONE IN ACCORDANCE WITH THE LATEST EDITIONS OF THE INTERNATIONAL BUILDING CODES, THE IBC, AND THE VERMONT BUILDING CODES, UNLESS OTHERWISE SPECIFIED.  
 (2) THE CONTRACTOR SHALL BE RESPONSIBLE FOR OBTAINING ALL NECESSARY PERMITS AND APPROVALS FROM THE LOCAL AUTHORITIES.  
 (3) THE CONTRACTOR SHALL BE RESPONSIBLE FOR OBTAINING ALL NECESSARY PERMITS AND APPROVALS FROM THE LOCAL AUTHORITIES.  
 (4) THE CONTRACTOR SHALL BE RESPONSIBLE FOR OBTAINING ALL NECESSARY PERMITS AND APPROVALS FROM THE LOCAL AUTHORITIES.  
 (5) THE CONTRACTOR SHALL BE RESPONSIBLE FOR OBTAINING ALL NECESSARY PERMITS AND APPROVALS FROM THE LOCAL AUTHORITIES.

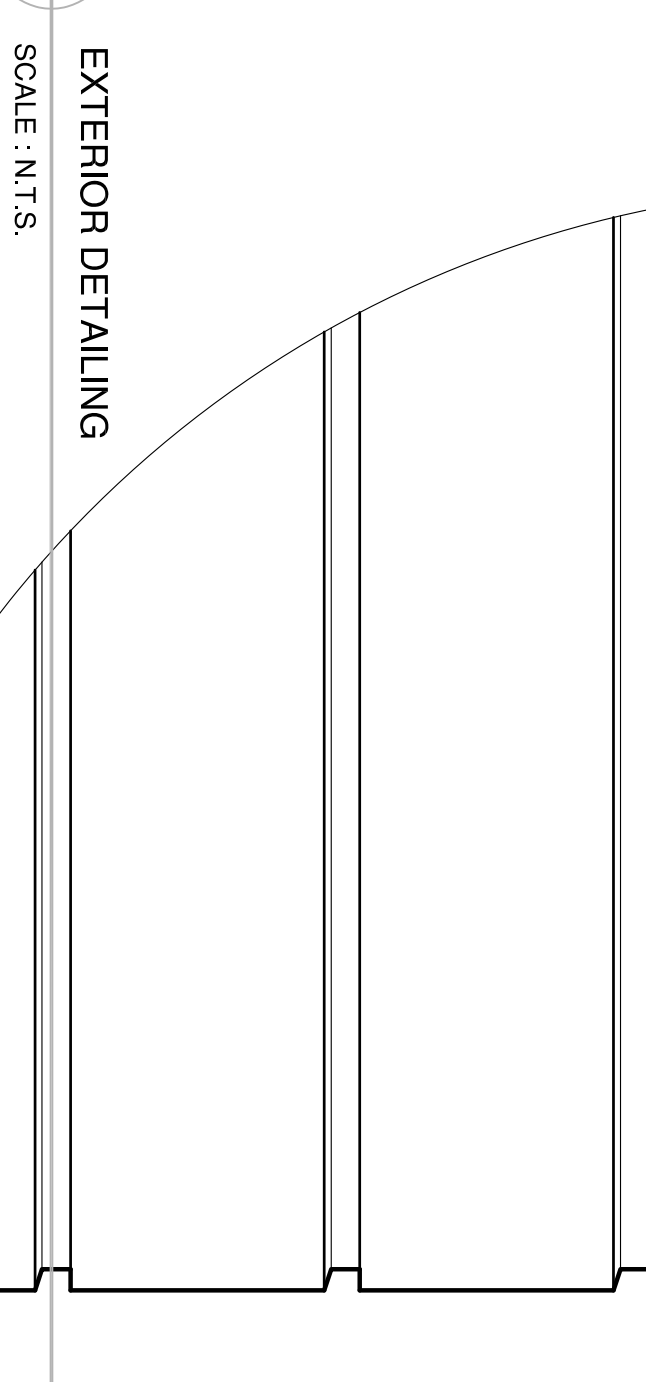
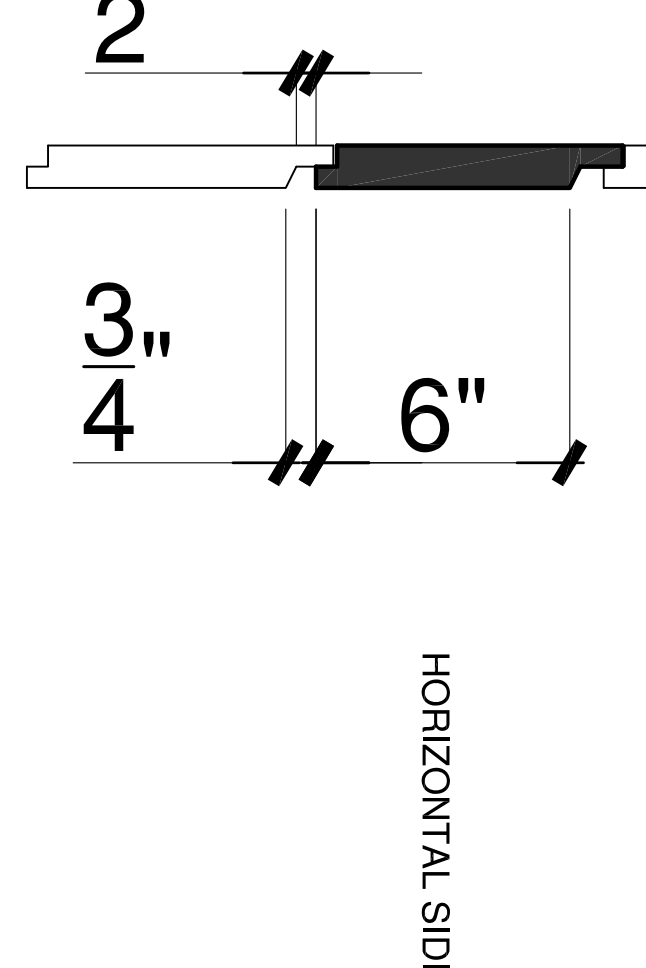
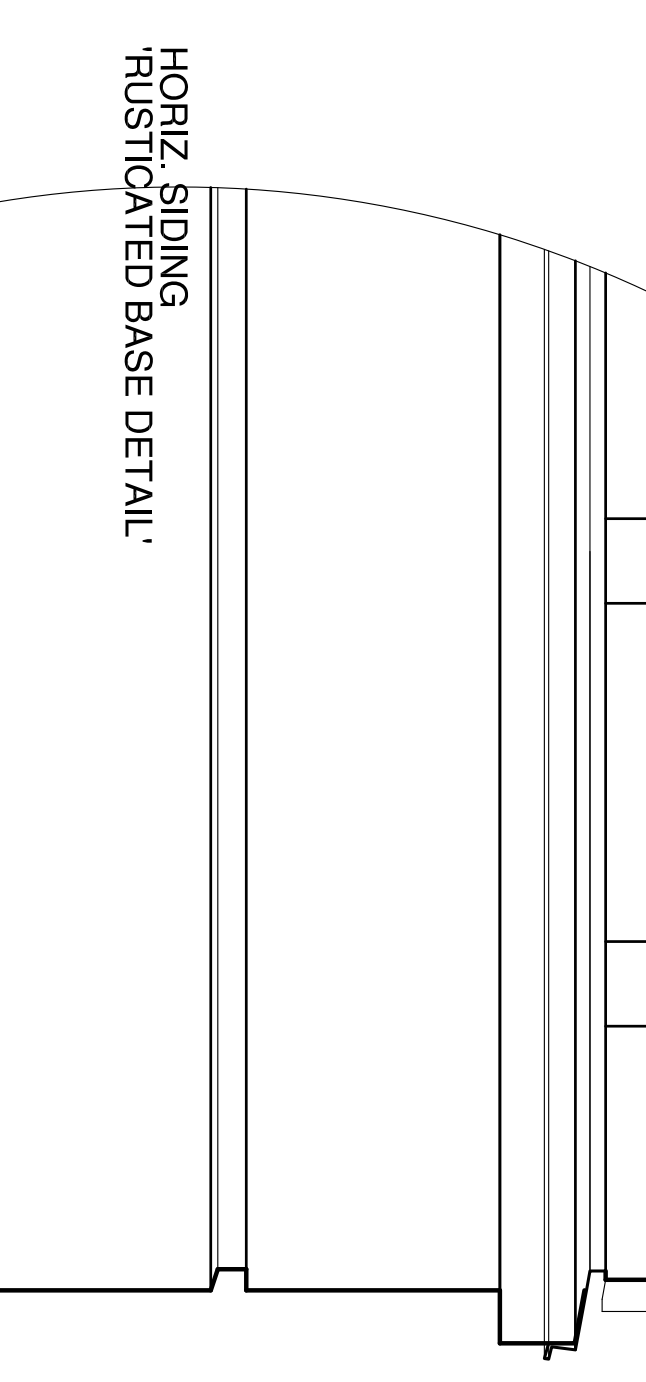
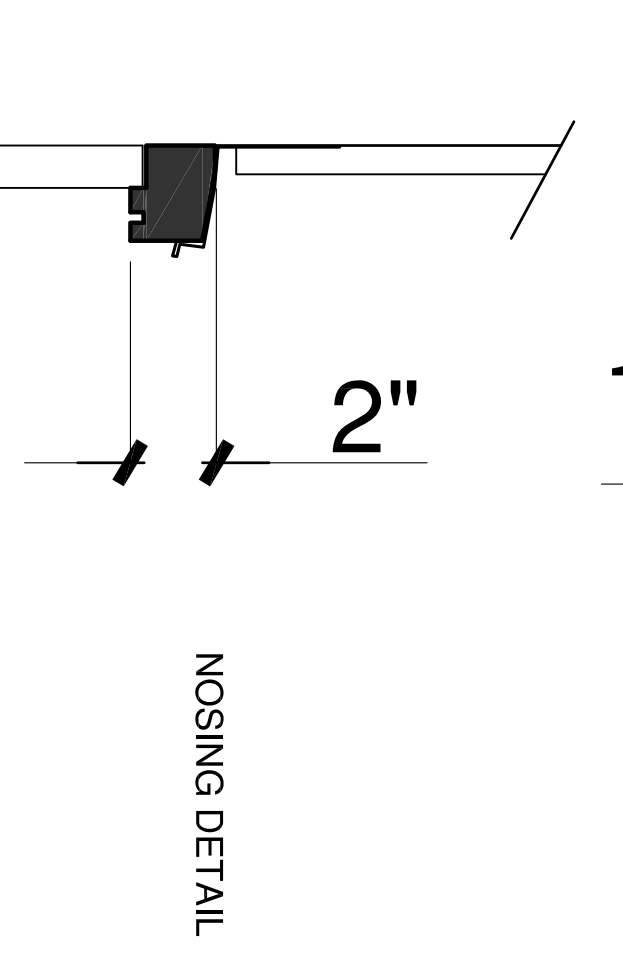
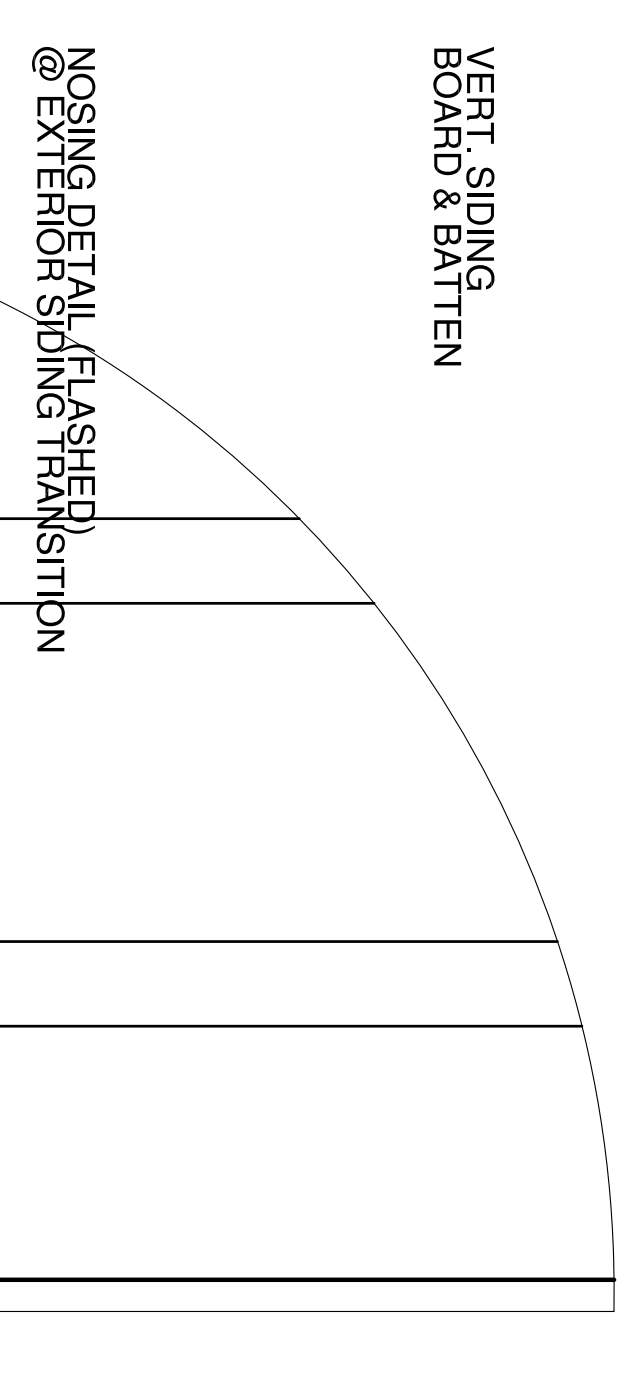
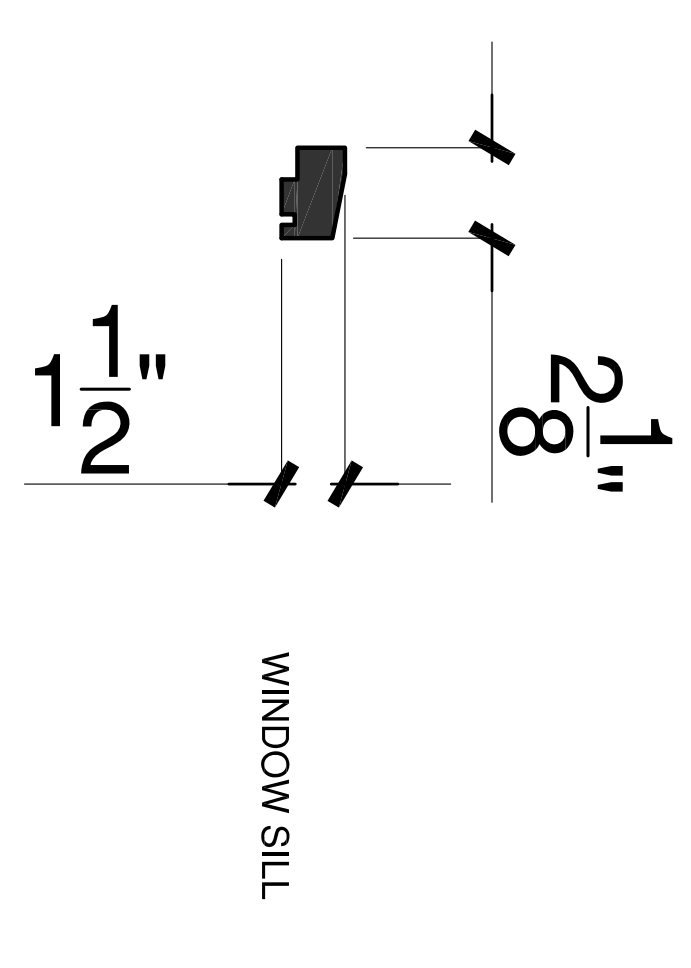
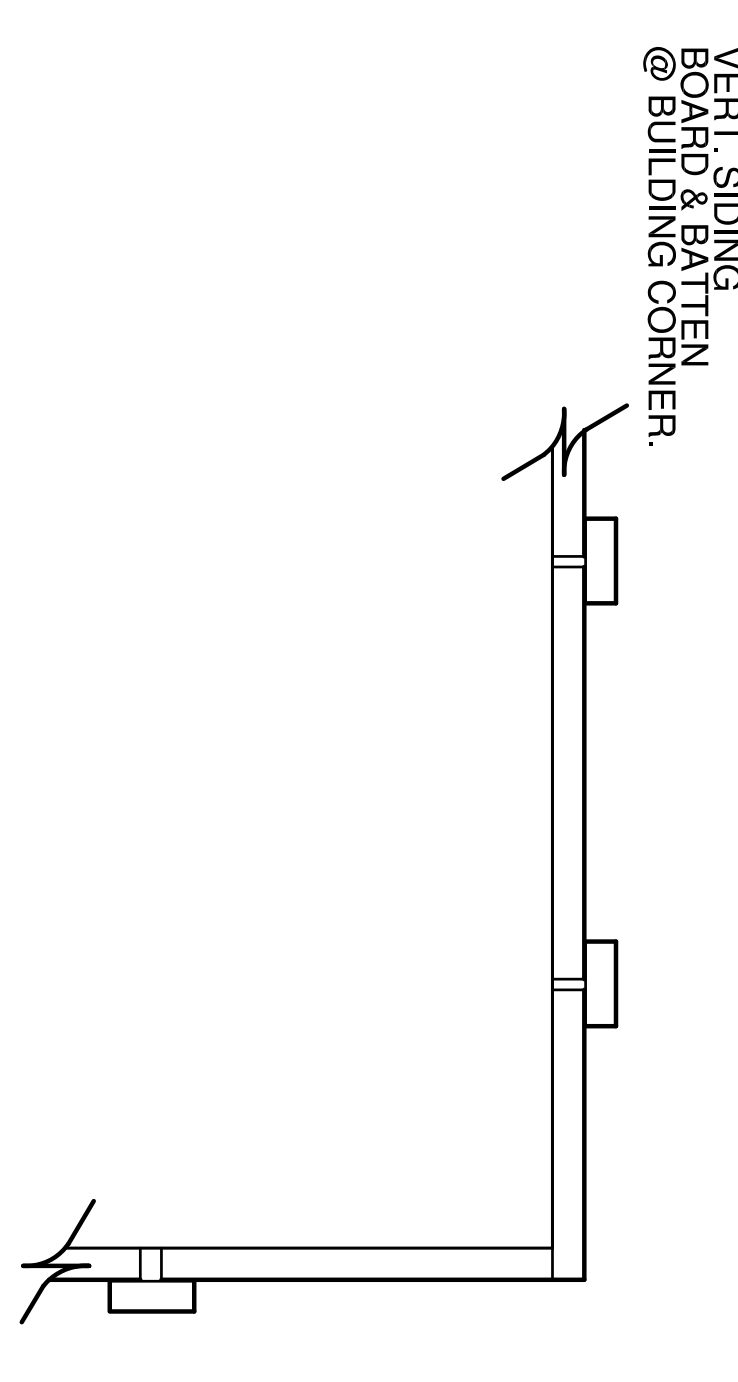
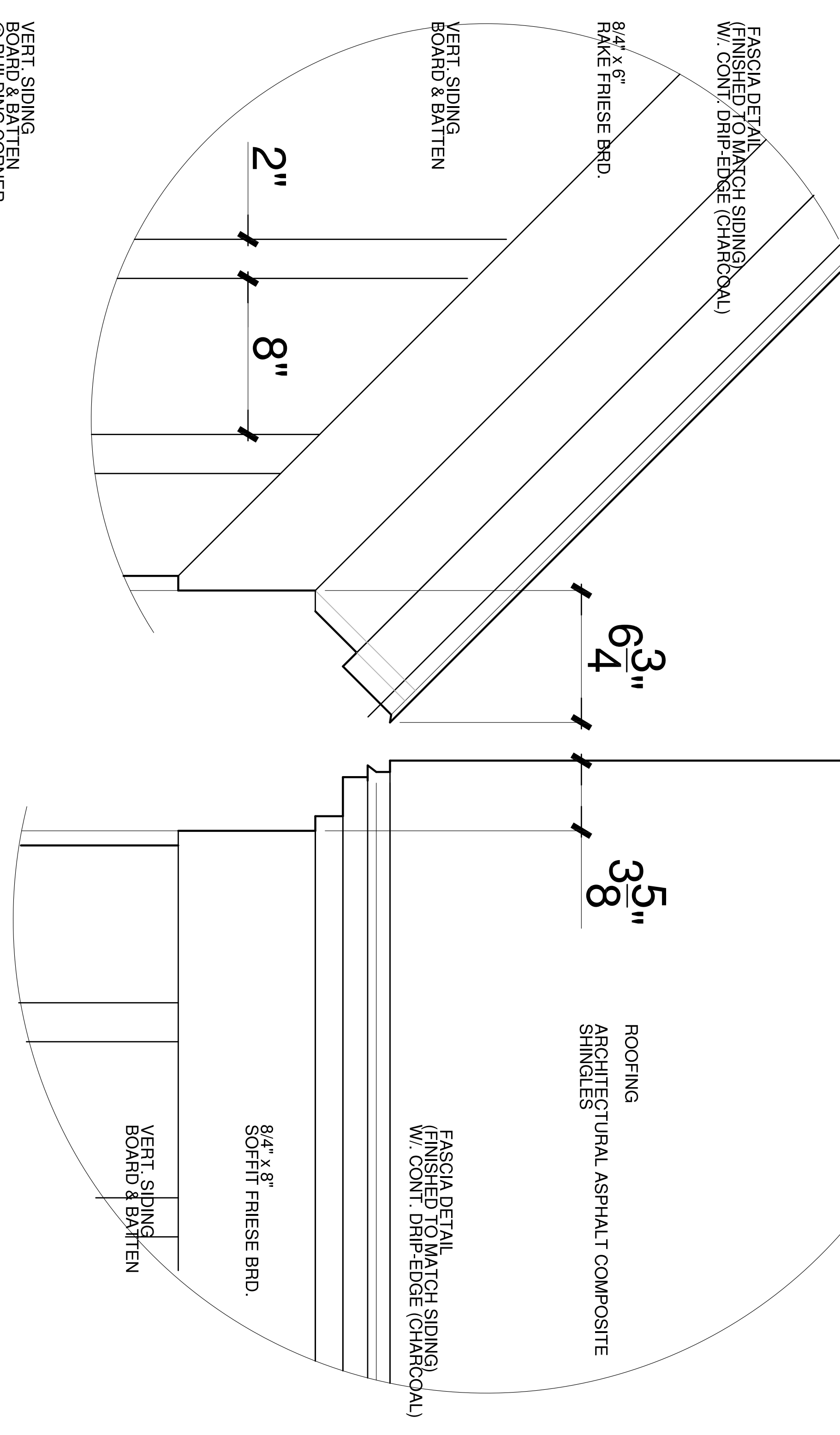
Drawing Title:  
**EXTERIOR DETAILING**

Drawings Scale	Revision	Issue Date
AS NOTED	2026.02.03	

Revised:  
 No. 1  
 Date: \_\_\_\_\_

Revision	Description	Date

Sheet Number:  
 \_\_\_\_\_



EXTERIOR DETAILING  
 SCALE: N.T.S.

**SK 5.1**